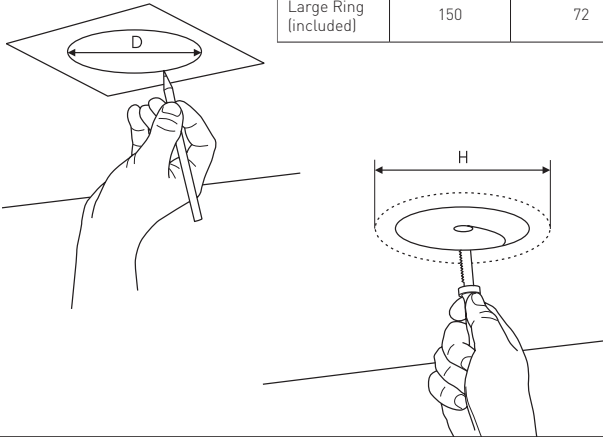


CEILING CUT OUT TEMPLATE – RECESSED INSTALLATION

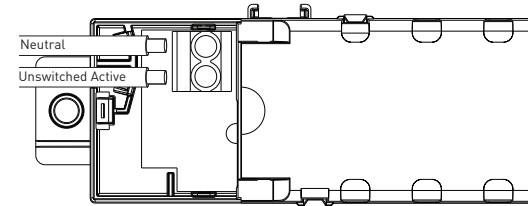
Type	Diameter 'H' (mm)	Hole cut-out 'D' (mm)
Without Ring	60	52
Small Ring (included)	80	66
Medium Ring (included)	120	72
Square Ring	103 x 103	72
Large Ring (included)	150	72

Ceiling cut out template



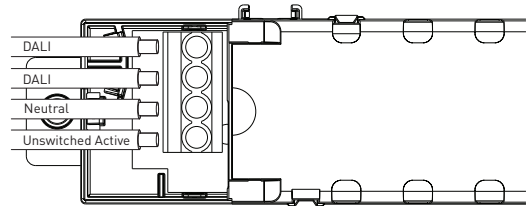
MAINS SUPPLY CONNECTION – RECESSED INSTALLATION

Supplied complete with flex and plug.

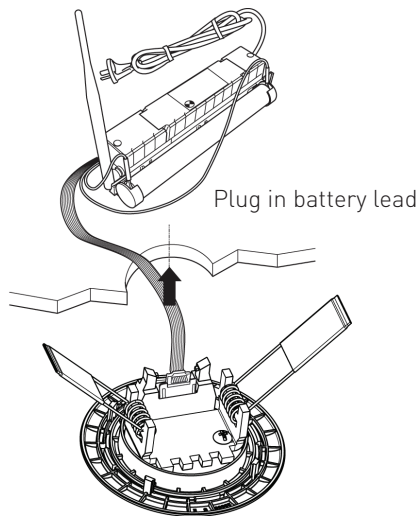


Cable entry is compatible with flexible cord: 2-core, circular ordinary duty (H05VV-F, 2 x 0.75 mm<sup>2</sup>)

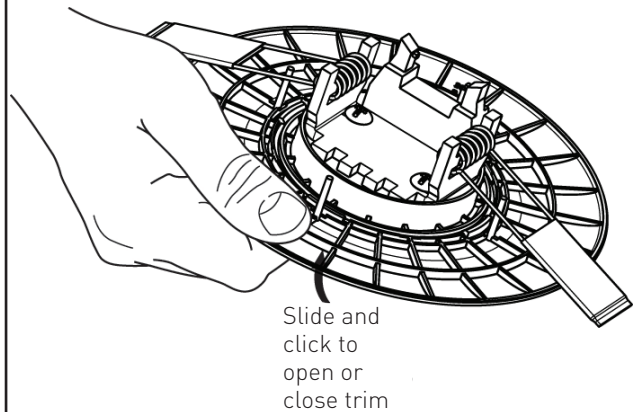
For DALI models, hard wiring is required.



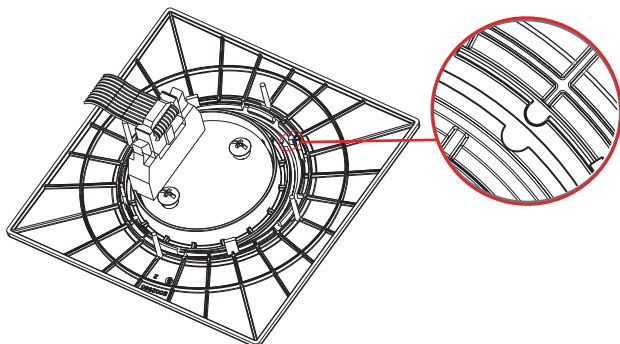
RECESSED INSTALLATION



CHANGING TRIM SIZE FOR NON CORRIDOR MODELS

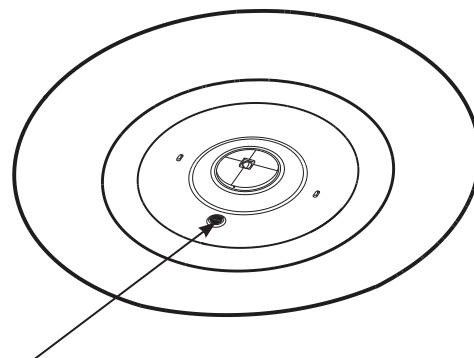


CHANGING TRIM SIZE FOR CORRIDOR MODELS WITH SQUARE TRIM



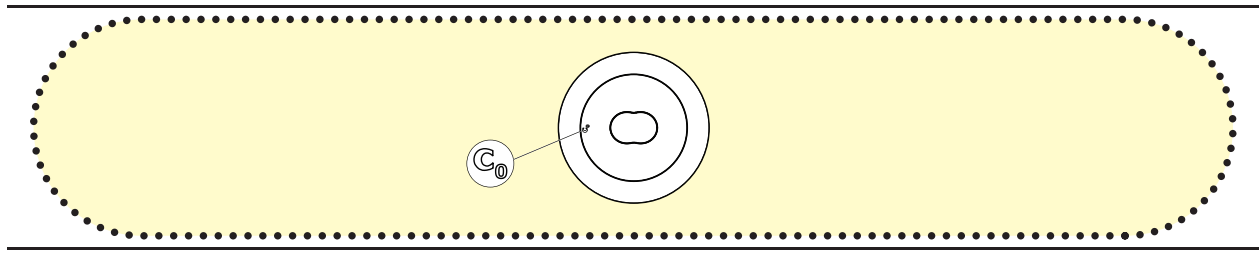
Ensure locators are in position prior to securing the square trim.

TEST SWITCH



After installation, press test switch for local test of Emergency Mode Operation.

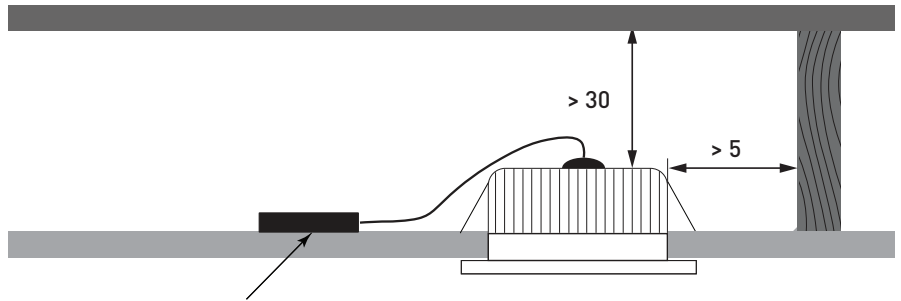
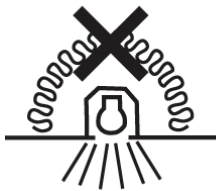
CORRIDOR SATELLITE INSTALLATION



NOTE: Ensure the "C<sub>0</sub>" symbol is parallel to the wall

MINIMUM CEILING VOID

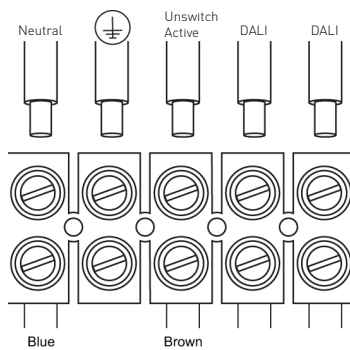
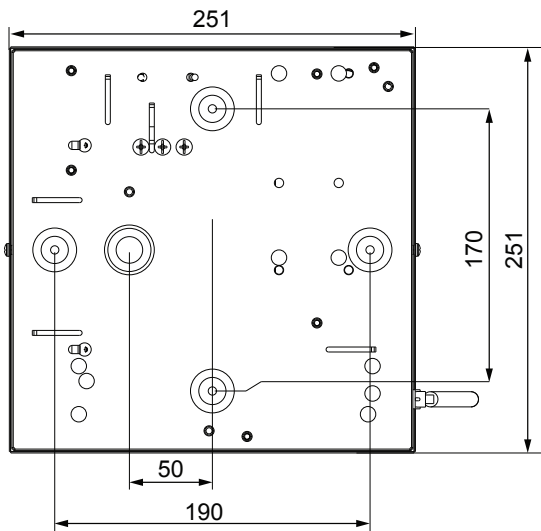
NO INSULATION



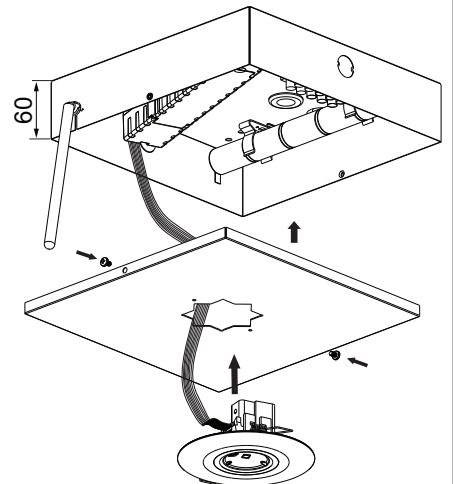
Note: Ensure emergency pack is above insulation

Emergency pack

SURFACE MOUNT INSTALLATION – DIRECT ONTO THE CEILING USING MOUNTING HOLES SHOWN BELOW



DALI terminal connection is applicable to DALI models only.



\*All dimensions are in millimeter.